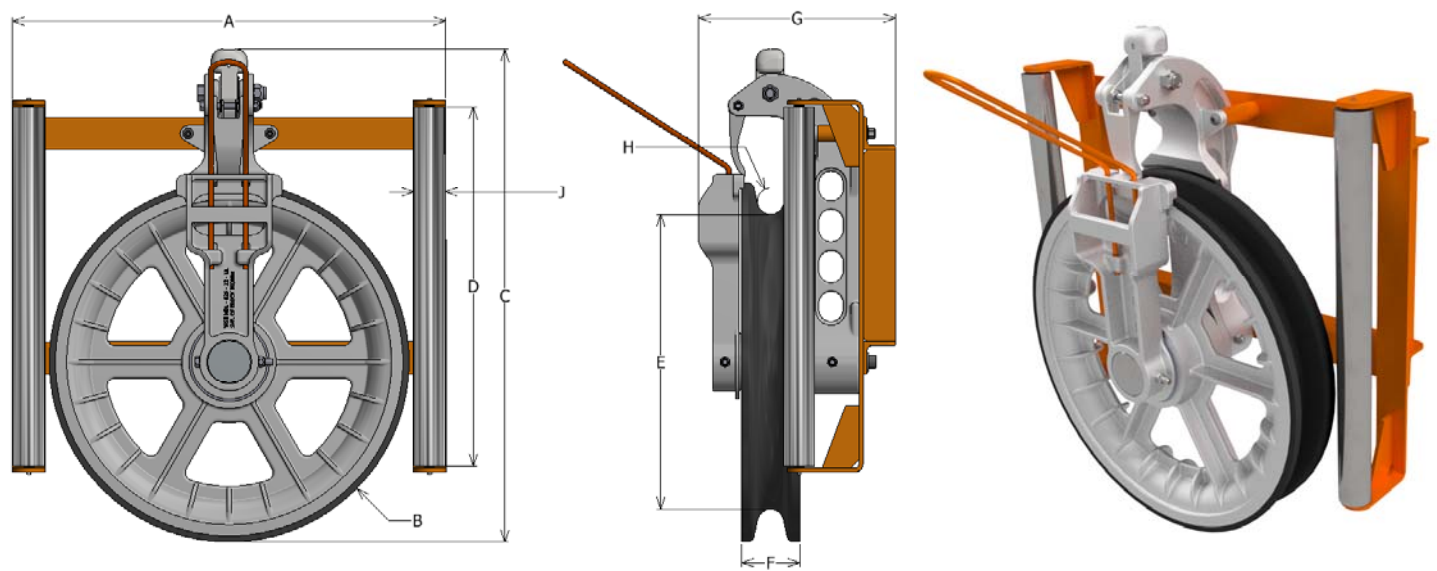


BLOCKS

CONDUCTOR STRINGING BLOCKS

Model MDL AD - Angle Dolly



CATALOG NUMBER	GENERAL INFORMATION ALL DIMENSIONS GIVEN IN INCHES (mm)									BLOCK & FRAME NET WEIGHT IN LBS. (kg)	SAFE WORKING LOAD (kg)
	A	B	C	D	E	F	G	H	J		
MDL22-AD-UL	26.5 (673)	22 (559)	30.13 (765)	22 (559)	18 (457)	3.56 (90)	12.06 (306)	1.63 (41)	1.9 (48)	68 (31)	8,000 lbs. (3629)
MDL28-AD-UL	32.5 (826)	28 (711)	35.78 (909)	28 (711)	24 (610)	3.56 (90)	12.06 (306)	2.13 (54)	1.9 (48)	104 (47)	8,000 lbs. (3629)
MDL36-AD-UL	40.5 (1029)	36 (914)	46.68 (1186)	36 (914)	32 (813)	3.56 (90)	11.94 (303)	2.5 (64)	1.9 (48)	120 (54)	12,000 lbs. (5443)



NOTES:
 UL – URETHANE LINED SHEAVE
 SAFE WORKING LOAD BASED ON 3:1 SAFETY FACTOR
 NO GROUND ATTACHMENTS AVAILABLE
 REPLACEABLE ROLLERS ARE AVAILABLE DUE TO GROOVING

IMPORTANT: As with all stringing blocks, when installing on an inside angle the Angle Dolly should be rigged low enough so it can swing freely without binding against the structure.

Wagner-Smith Equipment Co. | 1-800-666-6567 | sales@wagnersmithequipment.com | wagnersmithequipment.com
 Equipment and design features subject to change without notice, in our continuing effort to improve safety and performance.